

**Prostore 800**  
**2½ Door Digital Refrigerator/Freezer,**  
**720lt, dual temperature (0+10°C/-22-15°**  
**C) - R290**

ITEM # \_\_\_\_\_

MODEL # \_\_\_\_\_

NAME # \_\_\_\_\_

SIS # \_\_\_\_\_

AIA # \_\_\_\_\_


**691361 (PS06RF2FHC)**

 2-door, dual temperature  
 prostore Refrigerator 720lt,  
 0+10°/-15-22°C, AISI 304,  
 R290

### Short Form Specification

**Item No.** \_\_\_\_\_

Two half door refrigerator and freezer mainly constructed in 304 AISI stainless steel with external bottom panel in anti-corrosive material. Large digital display featuring humidity selection button (3 preset level), cabinet temperature display and setting and turbo frost cycle (to rapidly cool warm loads). HACCP-compliant control with alarms and history. Frost Watch Control to defrost only when required with automatic evaporation of defrost water. Optimized airflow provides even temperature distribution on all grids. Fitted with 65 mm-thick polyurethane insulating foam. Self-closing, on-site reversible door features microswitch to switch off the fan when the door is opened. Built-in refrigeration unit; ventilated operation; Interior LED light. For ambient temperatures up to 43 °C. CFC and HCFC free. R290 highly ecological refrigerant type.

Supplied with 4 x 700x530mm plastic coated grids and n 4 pair of grid runners. Prearranged to fit RS485 port to facilitate connection to a remote computer and integrated HACCP systems.

### Main Features

- IPX5 frontal water protection.
- Fully compliant HACCP digital control: when temperature exceeds critical limits, acoustic and visual alarms are activated. Up to two months of event are kept in memory.
- Optimized airflow within the chamber guarantees uniformity of temperature on all grids.
- Greater storage space: internal structure with numerous charging positions available to host grids, ensuring higher net capacity.
- Model requires only 1 phase 230V/50Hz supply and can be plugged straight into an existing power socket.
- Prearranged to fit RS485 port to facilitate connection to a remote computer and integrated HACCP systems.
- Complies with main international certification bodies and is CE marked.
- Self closing and on site reversible left/right doors.
- Two half doors.
- Large storage area suitable to contain 700x530 mm grids to improve net capacity.
- Dual temperature type: 0 +10 °C/-15 -22 °C.
- Connectivity ready for real time access to connected appliances from remote and data monitoring (requires optional accessory).
- This appliance is intended for use in ambient temperatures up to 40°C.

**APPROVAL:** \_\_\_\_\_

## Construction

- Stainless steel AISI 304 external panels (galvanized external back).
- Inner cell with rounded corners, bottom pressed in only one piece.
- Stainless steel runners and supports easily disassembled.
- Internal components removable without the use of tools to facilitate cleaning operations.
- Pressed stainless steel door handle without joints gathering dust and dirt.
- Easy access to the main components for maintenance.
- Developed and produced in ISO 9001 and ISO 14001 certified factory.
- Heated door frame.
- Lockable door.

## Sustainability



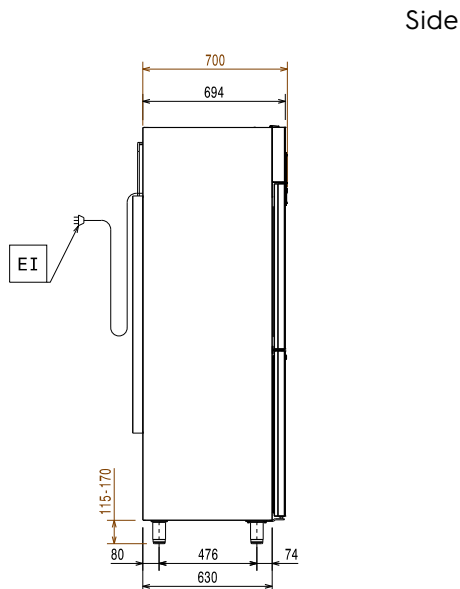
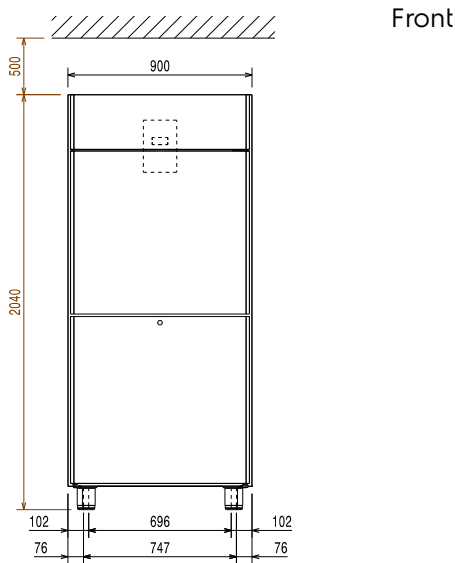
- Cleaning-free condenser: the structure of the wire frame condenser prevents dust and grease accumulation thus avoiding periodical cleaning operations and reducing energy consumption.
- Removable triple-chamber balloon magnetic gasket to improve insulation and reduce energy consumption and ease of cleaning.
- CFC and HCFC free, highly ecological refrigerant type: R290 (ecological gas in foam: cyclopentane). Hydrocarbon refrigerant gas R290 for the lowest environmental impact (GWP=3), to reduce green house and ozone depletion effects.
- CFC and HCFC free (highly ecological refrigerant type: R290).
- Frost Watch Control: fully automatic defrost starts only when ice is actually building-up in the evaporator and adapt the defrosting duration to guarantee perfect ice removal while optimizing energy efficiency consumption.
- Optical door microswitch to stop the fan once the door is opened, thus minimizing energy waste.
- Interior LED light to save energy and for best internal visibility.

## Included Accessories

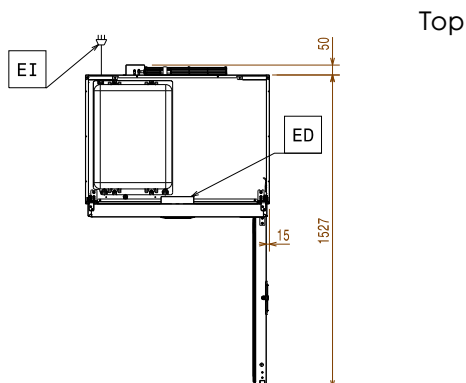
- 4 of Pair of runners for GN 2/1 grids, for PNC 880320 prostore cabinets
- 4 of Plastic-coated grid 700x530mm for PNC 880343 Prostore 720l

## Optional Accessories

- |   |            |                          |
|---|------------|--------------------------|
| • Pair of runners for GN 2/1 grids, for prostore cabinets | PNC 880320 | <input type="checkbox"/> |
| • Stainless steel grid (700x530)                          | PNC 880323 | <input type="checkbox"/> |
| • Pedal opening for cabinets                              | PNC 880324 | <input type="checkbox"/> |
| • Kit 4 feet, height 200mm                                | PNC 880325 | <input type="checkbox"/> |
| • Kit of 4 feet-h=67 (marine)                             | PNC 880326 | <input type="checkbox"/> |
| • Kit pair of runners (marine)                            | PNC 880327 | <input type="checkbox"/> |
| • Plastic-coated grid 700x530mm for Prostore 720l         | PNC 880343 | <input type="checkbox"/> |



EI = Electrical inlet (power)



### Electric

Supply voltage:  
 691361 (PS06RF2FHC) 220-240 V/1 ph/50 Hz  
 Electrical power max.: 0.47 kW

### Key Information:

Gross capacity: 720 lt  
 Net Volume:  
 Door hinges: 2 Right  
 External dimensions, Width: 900 mm  
 External dimensions, Depth: 741 mm  
 External dimensions, Depth with Doors Open: 1527 mm  
 External dimensions, Height: 2040 mm  
 Number and type of doors: 2x1/2 Full  
 Internal Dimensions, Width: 772 mm  
 Internal Dimensions, Depth: 582 mm  
 Internal Dimensions, Height: 1436 mm  
 Height adjustment: 15/40 mm  
 Number and type of grids (included): 4 - 530x700  
 Type of external material: 304 AISI  
 Type of internal material: 304 AISI

### Refrigeration Data

Control type: Digital  
 Compressor power: 3/4 hp  
 Refrigeration power at evaporation temperature: -23.3 °C  
 Operating temperature min.: 0 °C  
 Operating temperature max.: 10 °C  
 Condensation temperature: 0 °C  
 Operating mode: Ventilated  
 Cooling unit: Built-In  
 Defrost type: Electric

### Product Information (EU Regulation 2015/1094)

Type of model (EU Reg. 2015/1094):

### ISO Certificates

ISO Standards: ISO 9001; ISO 14001; ISO 45001; ISO 50001

### Sustainability

Energy Class (EU Reg. 2015/1094):

Yearly and daily energy consumption (EU Reg. 2015/1094):

Climate class (EU Reg. 2015/1094):

Energy Efficiency Index-EEI (EU Reg. 2015/1094):

Noise level: 52 dBA  
 Refrigerant type: R290  
 Refrigeration power: 792 W  
 Refrigerant weight: 145 g